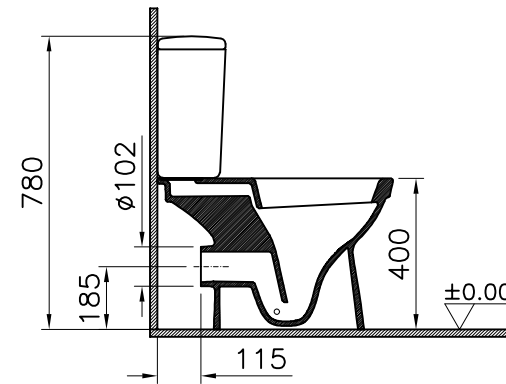
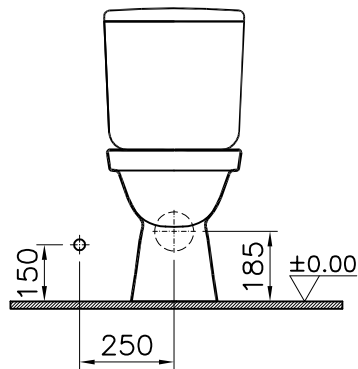
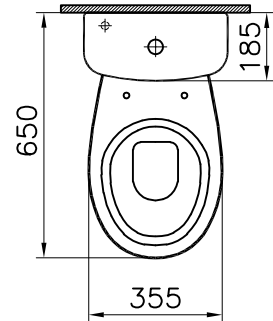


Theoretic Mass(kg)		Revision	
Surface Area(dm ²)		A4	

Thread	Hole	Shaft



R.S	Description	Date	NAME

2	1	Cistern	6656-0107	Ceramic			
1	1	Close-coupled WC pan	5820-0075	Ceramic			
item	Quantity	Part Name	Drawing No	Material	Material Class		
		Series	Material	Material Class			
		NORMUS	Close-coupled WC pan				
Drawn By		Controlled By	Approved By	Date	Drawing No	Scale	VitrA® ARTEMA®
T.TAYAR		N.BALTACI	V.SARIGOL	11.06.2008	5820+6656	1/20	

This drawing can only be used for the intended purposes. Unauthorized copying is strictly prohibited.