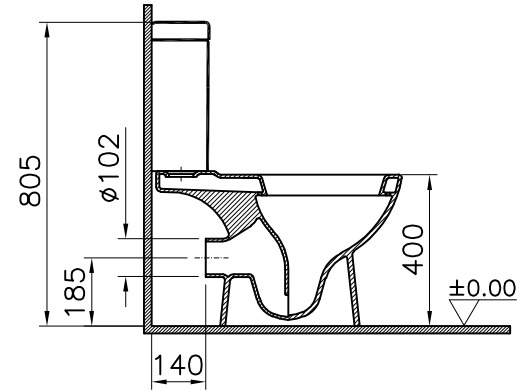
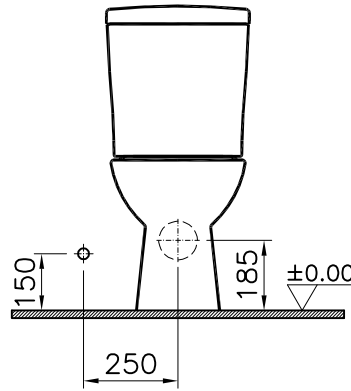
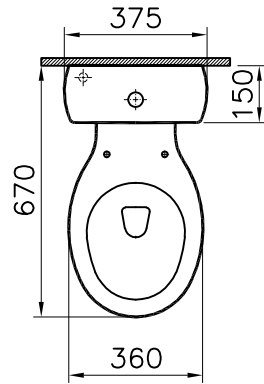


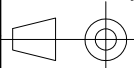
Theoretic Mass(kg)		Revision	
Surface Area(dm ²)		A4	

Thread	Hole	Shaft



2	1	Cistern	5932-0107	Ceramic	
1	1	Close-coupled WC pan	6623-0838	Ceramic	
item	Quantity	Part Name	Drawing No	Material	Material Class
		Series	Material	Material Class	
		ARKITEKT	Close-coupled WC pan		
Drawn By	Controlled By	Approved By	Date	Drawing No	Scale
T.TAYAR	N.BATLACI	V.SARIGOL	24.06.2019	6623+5932	1/20

R.S	Description	Date	NAME



This drawing can only be used for the intended purposes. Unauthorized copying is strictly prohibited.

VitrA® ART^{EM}A